

MATERIAL	DATE 18/06/2008	PART NO: 550S2.000.0000.MR0	
	SCALE N.T.S.	DRAWING NO. SH1	REVISION MR0

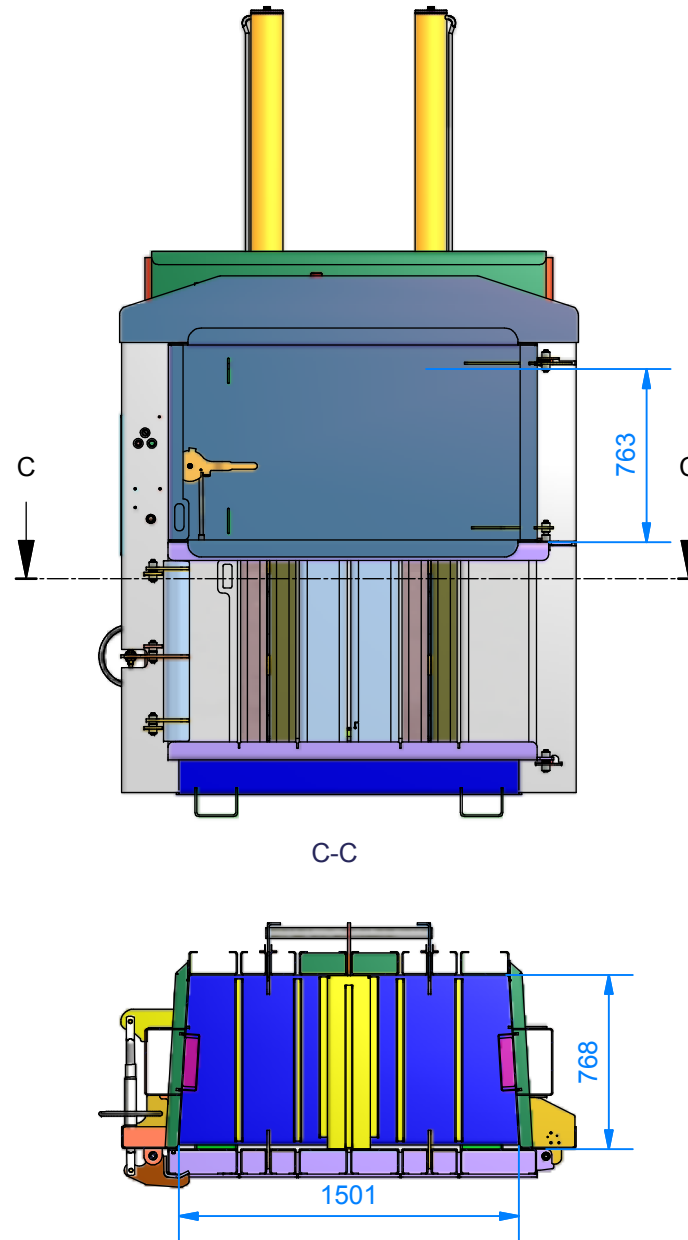
MACFAB^{III}

MAC FAB 550 HEAVY DUTY
MAC FAB 550 HEAVY DUTY BALER

COPYRIGHT 2009
THIS DRAWING IS COPYRIGHT &
IS THE PROPERTY OF MAC-FAB
SYSTEMS LTD. & MAY NOT BE
COPIED, COMMUNICATED TO, OR
HANDLED OVER TO ANY THIRD
PARTY, NOR USED FOR MANUFACTURING
PURPOSES WITHOUT WRITTEN CONSENT

Loading Aperture

ALL DIMENSIONS IN mm
PART TYPE: ASSEMBLY



MATERIAL	DATE 18/06/2008	PART NO: 550S2.000.0000.MR0	
	SCALE N.T.S.	DRAWING NO. SH5	REVISION MR0

MACFAB^{III}

MAC FAB 550 HEAVY DUTY
MAC FAB 550 HEAVY DUTY BALER

COPYRIGHT 2009
THIS DRAWING IS COPYRIGHT &
IS THE PROPERTY OF MAC-FAB
SYSTEMS LTD. & MAY NOT BE
COPIED, COMMUNICATED TO, OR
HANDLED OVER TO ANY THIRD
PARTY, NOR USED FOR MANUFACTURING
PURPOSES WITHOUT WRITTEN CONSENT