

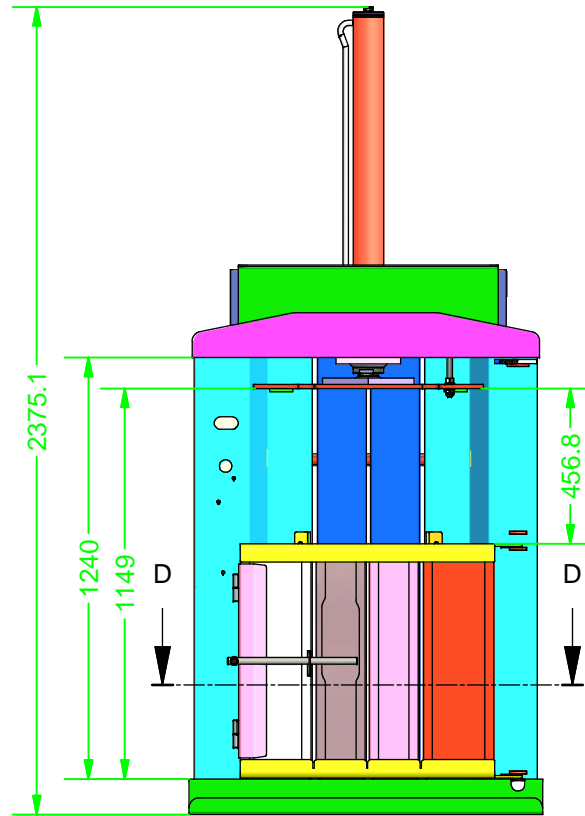
MATERIAL	DATE 21/07/2010	PART NO: 060S1.000.0000.MR1	
	SCALE N.T.S.	DRAWING NO. SH1	REVISION MR0

MACFAB^{III}

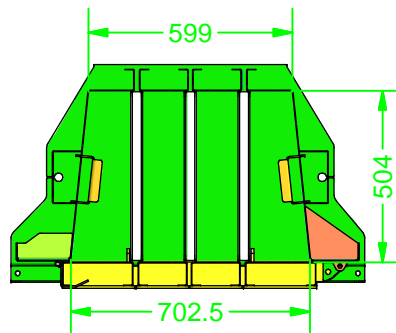
MAC FAB 60 AUTO
 60 Auto Baler Assembly

COPYRIGHT 2010
 THIS DRAWING IS COPYRIGHT &
 IS THE PROPERTY OF MAC-FAB
 SYSTEMS LTD. & MAY NOT BE
 COPIED, COMMUNICATED TO, OR
 HANDED OVER TO ANY THIRD
 PARTY, NOR USED FOR MANUFACTURING
 PURPOSES WITHOUT WRITTEN CONSENT

Loading Aperture



D-D (0.04 : 1)



MATERIAL	DATE 21/07/2010	PART NO: 060S1.000.0000.MR1			MAC FAB 60 AUTO 60 Auto Baler Assembly	COPYRIGHT 2010 THIS DRAWING IS COPYRIGHT & IS THE PROPERTY OF MAC-FAB SYSTEMS LTD. & MAY NOT BE COPIED, COMMUNICATED TO, OR HANDED OVER TO ANY THIRD PARTY, NOR USED FOR MANUFACTURING PURPOSES WITHOUT WRITTEN CONSENT
	SCALE N.T.S.	DRAWING NO. SH5	REVISION MR0			