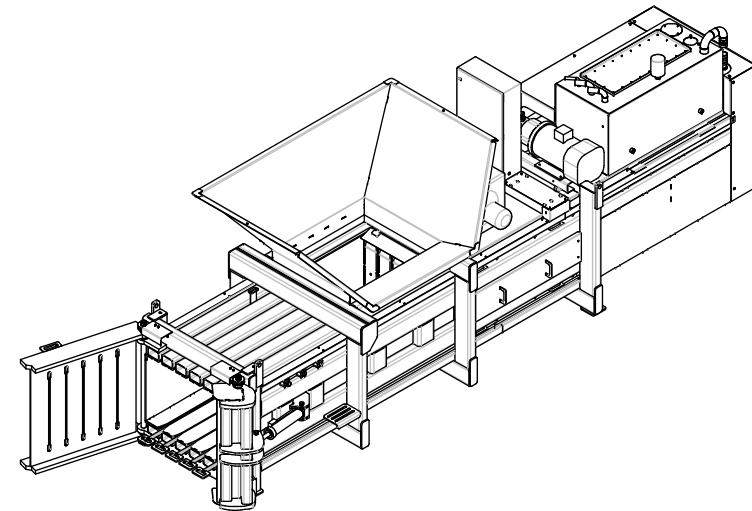
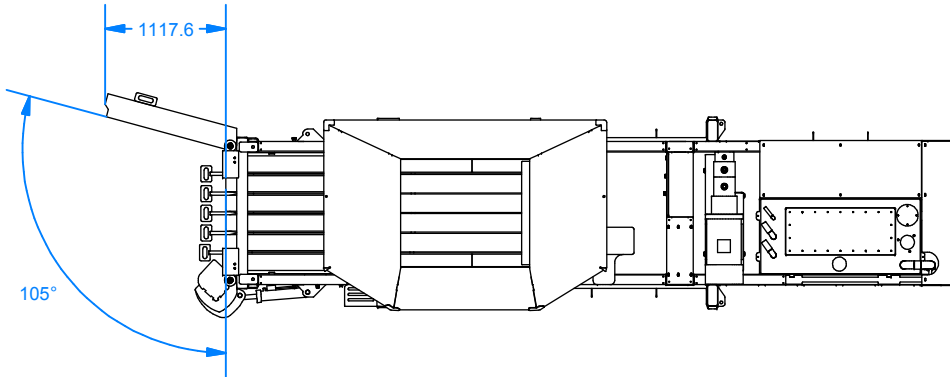
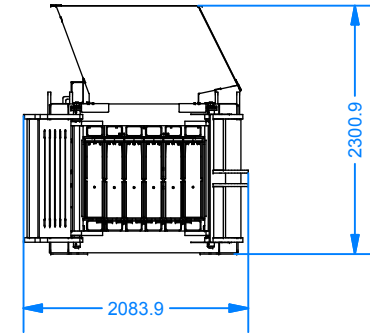
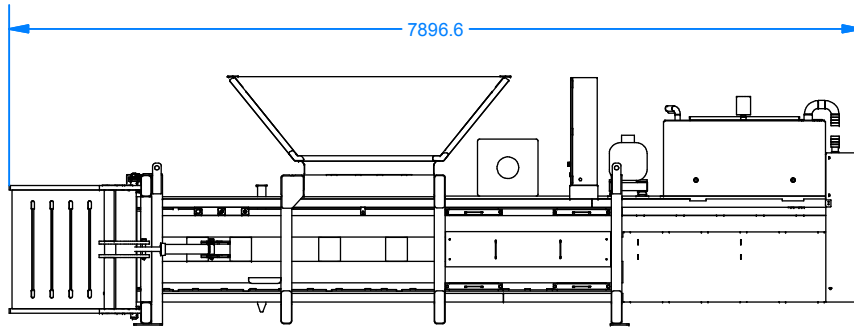


ALL DIMENSIONS IN MM  
ROUND AND DEBURR ALL EDGES



MATERIAL	CREATED	PART NO:	
	07/12/2011	HZ70.000.0000.MR0	
	SCALE	DRAWING NO.	REVISION
	N.T.S.	SH1	MR

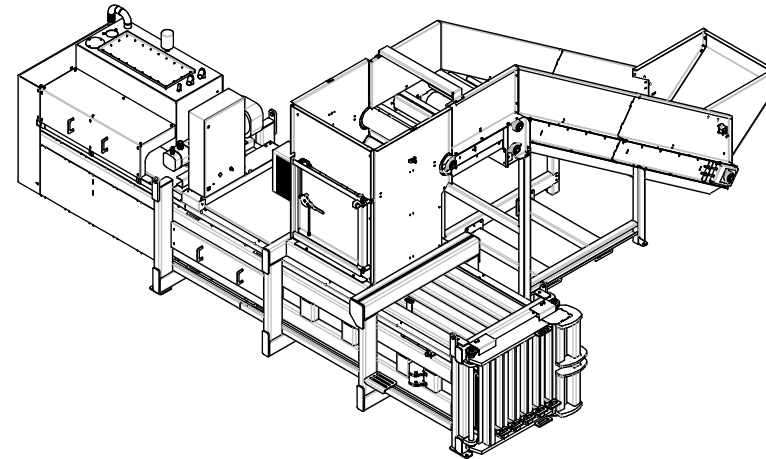
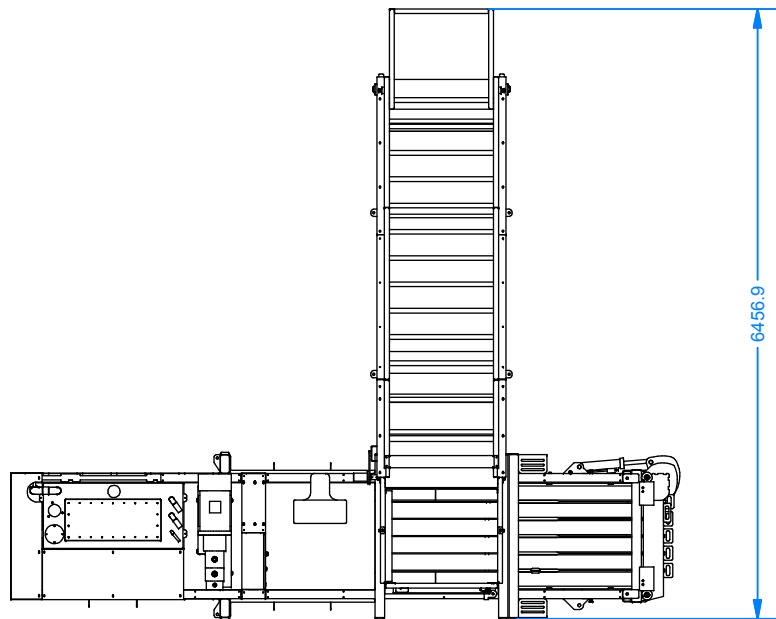
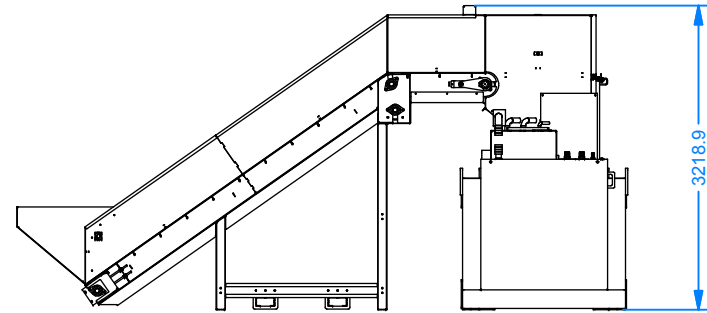
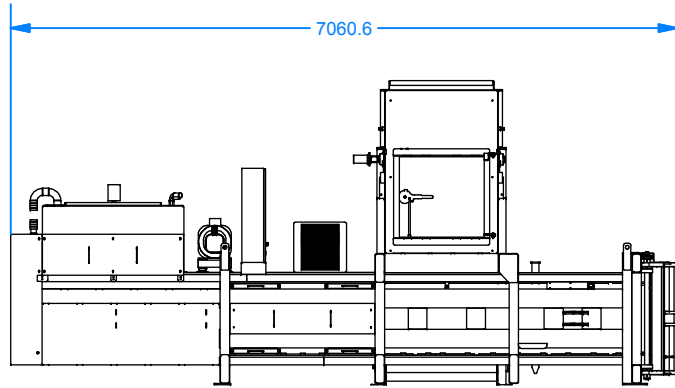
Mac Fab HZ70 Baler

PART TYPE:

**COPYRIGHT 2011**  
THIS DRAWING IS COPYRIGHT & IS THE PROPERTY OF MAC-FAB SYSTEMS LTD. & MAY NOT BE COPIED, COMMUNICATED TO, OR HANDED OVER TO ANY THIRD PARTY, NOR USED FOR MANUFACTURING PURPOSES WITHOUT WRITTEN CONSENT

Notes/Revisions		Author
Date	Comments	

ALL DIMENSIONS IN MM  
ROUND AND DEBURR ALL EDGES



MATERIAL	CREATED	PART NO:	
	02/12/2011	HZ70 with Conveyor	
SCALE	DRAWING NO.	REVISION	
N.T.S.	SH1	MR	

HZ70 with Conveyor  
PART TYPE: ASSEMBLY

**COPYRIGHT 2011**  
THIS DRAWING IS COPYRIGHT &  
IS THE PROPERTY OF MAC-FAB  
SYSTEMS LTD. & MAY NOT BE  
COPIED, COMMUNICATED TO, OR  
HANDLED OVER TO ANY THIRD  
PARTY, NOR USED FOR MANUFACTURING  
PURPOSES WITHOUT WRITTEN CONSENT